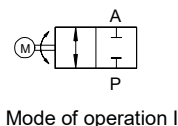


Electric motor rotary actuators with fluidic valve - OPEN / CLOSE or control mode

Type 2102 electromotive rotary actuator with 2/2 or 3/2 way ball valve



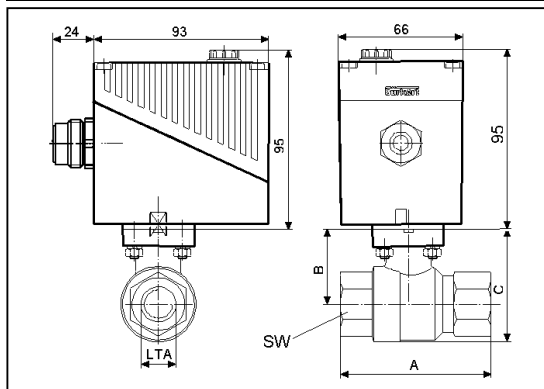
TECHNICAL SPECIFICATIONS

operating voltage	24 VDC / 230 VAC 12 VDC on request
rated current	230 mA / 10mA
power input	5,5 W / 2,3W
nominal operating mode	intermittent duty 50% ED
actuating time for 90°	14 sec, optional: 7 sec
actuator version	- limit switches - potentiometer 4,7 kΩ - standard signal 0-10 V; 4-20 mA
protection class	IP 67
electrical connection	7-pin round plug or 8-pin chassis connector M12x1
housing material	nickel-plated brass oder stainless steel
seal material	PTFE
actuator material	PA
pressure range	0 to 16 bar
media temperature	0 to +80°C
ambient temperatur	0 to +50°C

DIMENSIONS (mm)

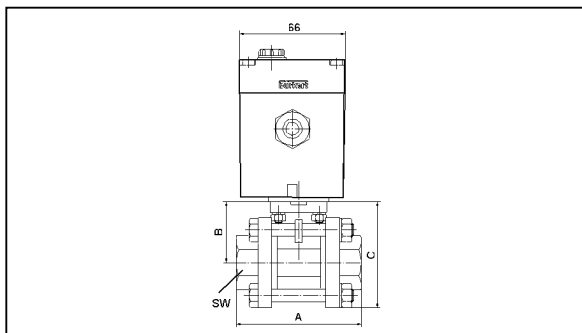
brass – two-part housing					
NS	LTA	A	B	C	SW
8	G1/4	67	30	47	24
10	G3/8	67	30	47	24
15	G1/2	75	38	54,5	26
20	G3/4	80	40,5	60,5	32
25	G1	90	44	69,5	40

stainless steel – two-part housing					
NS	LTA	A	B	C	SW
15	G1/2	60	36	53	26
20	G3/4	70	39,5	60,5	32



Optional: External battery pack for electric power failure for 24 VDC supply only

NS	LTA	stainless steel – three-part housing			
		A	B	C	SW
15	G1/2	70	36	67	27
20	G3/4	85	40	60,5	33



ORDER-TABLE

2/2- way ball valve, brass, 2 parts

NS (mm)	LTA	K _v -value (m³/h)	model	volt./freq. (V/Hz)	order-nr
8	G1/4	5,1	2 limit switches	24/DC	P1000238
10	G3/8	6,8			P1000239
15	G1/2	16			P1000240
20	G3/4	26			P1000241
25	G1	47			P1000242
8	G1/4	5,1	potentiometer + 2 limit switches		P1000243
10	G3/8	6,8			P1000244
15	G1/2	16			P1000245
20	G3/4	26			P1000246
25	G1	47			P1000247
8	G1/4	5,1	2 limit switches + end position signal	230/50	P1000256
10	G3/8	6,8			P1000257
15	G1/2	16			P1000258
20	G3/4	26			P1000259
25	G1	47			P1000260
8	G1/4	5,1	potentiometer + 2 limit switches		P1000261
10	G3/8	6,8			P1000262
15	G1/2	16			P1000263
20	G3/4	26			P1000264
25	G1	47			P1000265

2/2- way ball valve, brass, 2 parts

NS (mm)	LTA	K _v -value (m³/h)	model	volt./freq. (V/Hz)	order-nr
15	G1/2	16	2 limit switches	24/DC	P1000248
20	G3/4	26			P1000249
15	G1/2	16	potentiometer + 2 limit switches.		P1000250
20	G3/4	26			P1000251
15	G1/2	16	2 limit switches + end point signal	230/50	P1000266
20	G3/4	26			P1000267
15	G1/2	16	Potentiometer + 2 limit switches		P1000268
20	G3/4	26			P1000269

2/2- way ball valve, stainless steel, 3 parts

NS (mm)	LTA	K _v -value (m³/h)	model	volt./freq. (V/Hz)	order-nr
15	G1/2	16	2 limit switches	24/DC	P1000252
20	G3/4	26			P1000253
15	G1/2	16	potentiometer + 2 limit switches		P1000254
20	G3/4	26			P1000255
15	G1/2	16	2 limit switches + end point signal	230/50	P1000270
20	G3/4	26			P1000271
15	G1/2	16	potentiometer + 2 limit switches		P1000272
20	G3/4	26			P1000273

(other versions on request)